

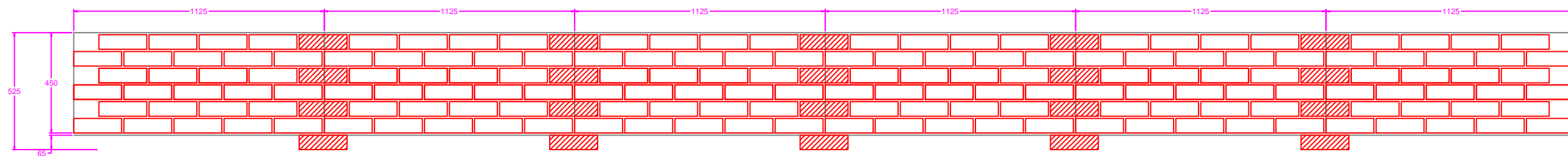
Pro-Clad 1 brick slip cladding (vertical and horizontal cladding)

Standard Pro-Clad 1 panels

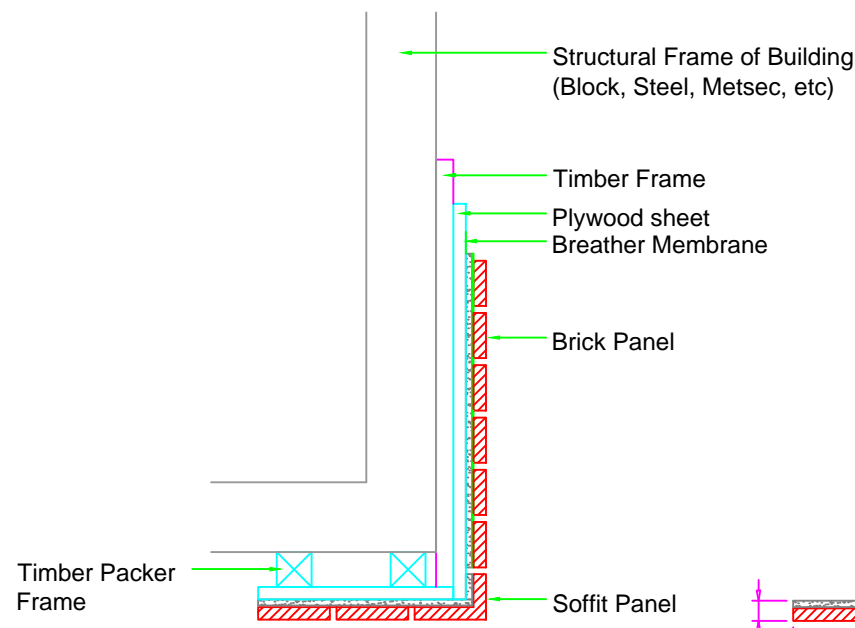
NOTE

DISCLAIMER. FAB-CLADDING LIMITED ACCEPT NO LIABILITY WITH RESPECT TO DRAWING ACCURACY OR QUANTITIES SHOWN. ALL DRAWINGS SHOULD BE APPROVED BY THE PROJECT PROFESSIONALS BEFORE PLACING ANY ORDER. CONTENTS OF THIS DRAWING REMAINS THE PROPERTY OF FAB-CLADDING LIMITED AND NO REPRODUCTION WITHOUT WRITTEN PERMISSION IS ALLOWED.

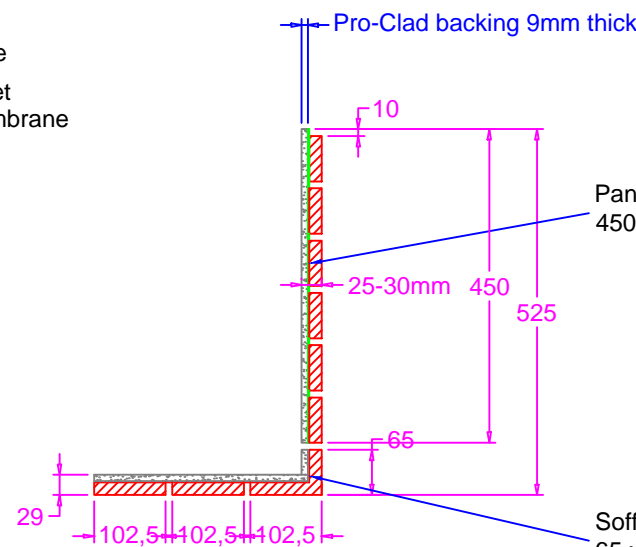
NOTES
1. DO NOT SCALE FROM THIS DRAWING



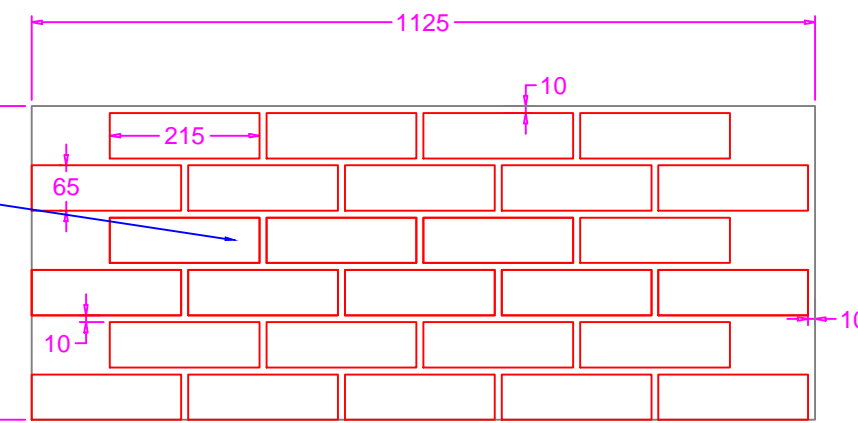
Front elevation of standard panel and separate soffit panel to underside



Construction Section



Section



Detail of standard panel and separate soffit panel

Notes:

- Lightweight Brick slip cladding panels.
- Standard Pro-Clad boards 450mm high x 1125mm long x 25-30mm thick depending on brick choice.
- Pro-Clad 1 boards can be faced in any brick type or stone (Natural or Recon) as well as a wide range of purpose made brick tiles available.
- Panel sizes can be varied to suit the dimensions of the area to be clad.
- 'Stitch' bricks to be supplied loose for positioning after Pro-Clad 1 boards installed. Soffit panels to be Pro-clad 2 interlocking panels
- Weight of standard panels 10-17Kg per panel (depending on choice of brick slip).
- Further advice regarding installation, handling and fixings available on request.

REV	REV DATE	PURPOSE OF REVISION
-	-	-



Unit MD2, Skelmanthorpe Business Park, Saville Road, Skelmanthorpe, Huddersfield, HD8 9ED
Tel: 01484 865572 Fax: 01484 868834
Email: chris@fab-cladding.co.uk www.fab-cladding.co.uk

Client	
Project	
Drawing Title	Standard Pro-Clad 1 components	
Status	FOR APPROVAL	
Scale	As Noted at A1	DO NOT SCALE
Date	27.01.2014	
Dwg NO	ProClad 1-0001	Rev -
This drawing is not to be used in whole or part other than for the intended purpose and project as defined on this drawing.		